

Steeline "S-Series" Single and Double Door Type 4 Wallmount Enclosure

Material:

Enclosure / Door 14 gauge or 16 gauge carbon steel
Seams continuously welded and ground smooth
External wall-mounting brackets are 10 gauge steel
Door Clamps to secure door
"3PT"— 3 Point Latch Available as standard
Removable heavy-gauge continuous hinge pin
Pad-lock hasp to secure door
Data Pocket
Collar studs provided to mount optional mounting panel
Grounding provisions on body, door, and mounting panel

Finish:

Housing and door—carbon steel
ANSI 61 Gray textured finish
Mounting Panel (Optional)

Protection Ratings:

UL / cUL Type 12, 13, and 4
UL File Number: E158158
IEC 60529, IP66

Configuration:

Single door Type 12, 13, & 4
Double door Type 12, 13, & 4
External screw clamps

* "3PT" – 3 Point latch can be ordered as standard, Single door S-Series enclosures 24" in Height or greater

Detail Drawings:

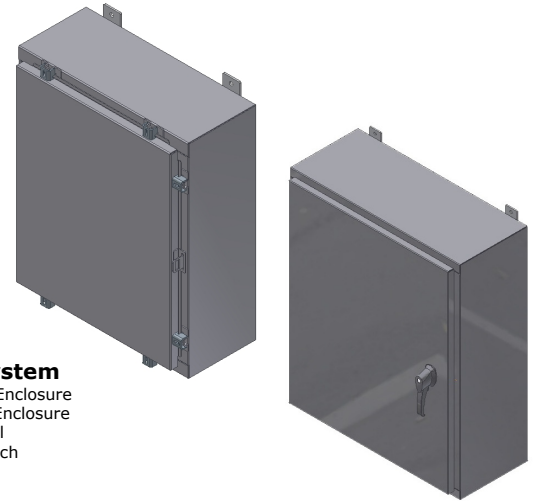
www.steelineenclosures.com

Accessories:

Optional MPL (Carbon Steel, Stainless Steel, or Aluminum)
Window Kits
Climate Control options (Fans and Louvers or A/C unit)
Dead Front Kits
Leg Stand Kits
Lighting Kits

Modification Service:

Optional modifications per customer specification



Part Number System

S— Steeline Wallmount Enclosure
121206— H"xW"xD" of Enclosure
C— Carbon Steel
3PT—3—Point Latch

Part Number	H (in)	W (in)	D (in)	Mounting Panel Part Number	MPL H(in)	MPL W(in)
Type 4 Carbon Steel						
6" Depth						
S161206NFC	16	12	6	S-16P12	13"	9"
S161606NFC	16	16	6	S-16P16	13"	13"
S162006NFC	16	20	6	S-16P20	13"	17"
S201606NFC	20	16	6	S-20P16	17"	13"
S202006NFC	20	20	6	S-20P20	17"	17"
S241206NFC	24	12	6	S-24P12	21"	9"
S241606NFC	24	16	6	S-24P16	21"	13"
S242006NFC	24	20	6	S-24P20	21"	17"
S242406NFC	24	24	6	S-24P24	21"	21"
S302006NFC	30	20	6	S-30P20	27"	17"
S302406NFC	30	24	6	S-30P24	27"	21"
S362406NFC	36	24	6	S-36P24	33"	21"
6" Depth With 3 - Point Latch						
S241206NFC3PT	24	12	6	S-24P12	21"	9"
S241606NFC3PT	24	16	6	S-24P16	21"	13"
S242006NFC3PT	24	20	6	S-24P20	21"	17"
S242406NFC3PT	24	24	6	S-24P24	21"	21"
S302006NFC3PT	30	20	6	S-30P20	27"	17"
S302406NFC3PT	30	24	6	S-30P24	27"	21"
S362406NFC3PT	36	24	6	S-36P24	33"	21"

-Continue-



Steeline "S-Series" Single and Double Door Type 4 Wallmount Enclosure

Part Number H (in) W (in) D (in) Mounting Panel Part Number MPL H(in) MPL W(in)

Type 4 Carbon Steel

Part Number	H (in)	W (in)	D (in)	Mounting Panel Part Number	MPL H(in)	MPL W(in)
8" Depth						
S161208NFC	16	12	8	S-16P12	13"	9"
S201608NFC	20	16	8	S-20P16	17"	13"
S202008NFC	20	20	8	S-20P20	17"	17"
S202408NFC	20	24	8	S-20P24	17"	21"
S242008NFC	24	20	8	S-24P20	21"	17"
S242408NFC	24	24	8	S-24P24	21"	21"
S243008NFC	24	30	8	S-24P30	21"	27"
S302008NFC	30	20	8	S-30P20	27"	17"
S302408NFC	30	24	8	S-30P24	27"	21"
S303008NFC	30	30	8	S-30P30	27"	27"
S362408NFC	36	24	8	S-36P24	33"	21"
S363008NFC	36	30	8	S-36P30	33"	27"
S423008NFC	42	30	8	S-42P30	39"	27"
S423608NFC	42	36	8	S-42P36	39"	33"
S483608NFC	48	36	8	S-48P36	45"	33"
S603608NFC	60	36	8	S-60P36	57"	33"
8" Depth With 3 - Point Latch						
S242008NFC3PT	24	20	8	S-24P20	21"	17"
S242408NFC3PT	24	24	8	S-24P24	21"	21"
S243008NFC3PT	24	30	8	S-24P30	21"	27"
S302008NFC3PT	30	20	8	S-30P20	27"	17"
S302408NFC3PT	30	24	8	S-30P24	27"	21"
S303008NFC3PT	30	30	8	S-30P30	27"	27"
S362408NFC3PT	36	24	8	S-36P24	33"	21"
S363008NFC3PT	36	30	8	S-36P30	33"	27"
S423008NFC3PT	42	30	8	S-42P30	39"	27"
S423608NFC3PT	42	36	8	S-42P36	39"	33"
S483608NFC3PT	48	36	8	S-48P36	45"	33"
S603608NFC3PT	60	36	8	S-60P36	57"	33"
10" Depth						
S201610NFC	20	16	10	S-20P16	17"	13"
S242010NFC	24	20	10	S-24P20	21"	17"

Part Number H (in) W (in) D (in) Mounting Panel Part Number MPL H(in) MPL W(in)

Type 4 Carbon Steel

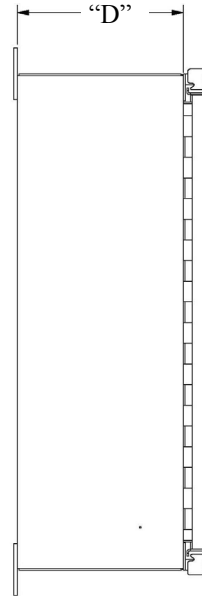
Part Number	H (in)	W (in)	D (in)	Mounting Panel Part Number	MPL H(in)	MPL W(in)
10" Depth						
S302410NFC	30	24	10	S-30P24	27"	21"
S363010NFC	36	30	10	S-36P30	33"	27"
S483010NFC	48	30	10	S-48P30	45"	27"
S483610NFC	48	36	10	S-48P36	48"	33"
S603610NFC	60	36	10	S-60P36	57"	33"
10" Depth With 3 - Point Latch						
S242010NFC3PT	24	20	10	S-24P20	21"	17"
S302410NFC3PT	30	24	10	S-30P24	27"	21"
S363010NFC3PT	36	30	10	S-36P30	33"	27"
S483010NFC3PT	48	30	10	S-48P30	45"	27"
S483610NFC3PT	48	36	10	S-48P36	48"	33"
S603610NFC3PT	60	36	10	S-60P36	57"	33"
12" Depth						
S302412NFC	30	24	12	S-30P24	27"	21"
S363012NFC	36	30	12	S-36P30	33"	27"
S483612NFC	48	36	12	S-48P36	45"	33"
S603612NFC	60	36	10	S-60P36	57"	33"
12" Depth With 3 - Point Latch						
S302412NFC3PT	30	24	12	S-30P24	27"	21"
S363012NFC3PT	36	30	12	S-36P30	33"	27"
S483612NFC3PT	48	36	12	S-48P36	45"	33"
S603612NFC3PT	60	36	12	S-60P36	57"	33"
16" Depth						
S363016NFC	36	30	16	S-36P30	33"	27"
S483616NFC	48	36	16	S-48P36	45"	33"
S603616NFC	60	36	16	S-60P36	57"	33"
16" Depth With 3 - Point Latch						
S363016NFC3PT	36	30	16	S-36P30	33"	27"
S483616NFC3PT	48	36	16	S-48P36	45"	33"
S603616NFC3PT	60	36	16	S-60P36	57"	33"

-Continue-



Steeline "S-Series" Single and Double Door Type 4 Wallmount Enclosure

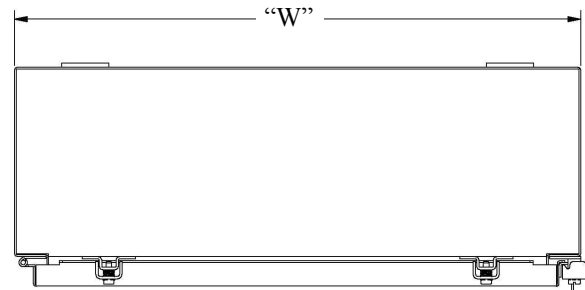
Side View



Part Number	H (in)	W (in)	D (in)	Mounting Panel Part Number	MPL H(in)	MPL W(in)
-------------	--------	--------	--------	----------------------------	-----------	-----------

Part Number	H (in)	W (in)	D (in)	Mounting Panel Part Number	MPL H(in)	MPL W(in)
Type 4 Carbon Steel Double Door						
8" Depth						
S244208NF2DR	24	42	8	S-24P42	21"	39"
S244808NF2DR	24	48	8	S-24P48	21"	45"
10" Depth						
S304210NF2DR	30	42	10	S-30P42	27"	39"
S304810NF2DR	30	48	10	S-30P48	27"	45"
S306010NF2DR	30	60	10	S-30P60	27"	57"
12" Depth						
S364212NF2DR	36	42	12	S-36P42	33"	39"
S364812NF2DR	36	48	12	S-36P48	33"	45"
S366012NF2DR	36	60	12	S-36P60	33"	57"
S424212NF2DR	42	42	12	S-42P42	39"	39"
S424812NF2DR	42	48	12	S-42P48	39"	45"
S426012NF2DR	42	60	12	S-42P60	39"	57"
S484812NF2DR	48	48	12	S-48P48	45"	45"

Top View



Front View

